

IMPORTANT SAFETY INSTRUCTIONS

When using electrical appliances, especially when children are present, basic safety instructions should always be followed, including the following:

Polythene bags over product or package may be dangerous. To avoid danger of suffocation, keep this wrapper away from babies and children. This bag is not a toy.

DANGER: When the unit is used in a bathroom, unplug it after use since the proximity of water presents a hazard even when the unit is switched off.

WARNING: Do not use this appliance in or near bathtubs, showers, basins or other vessels containing water.



- Do not immerse in water or other liquids.
- Do not reach for an appliance that has fallen into water. Unplug immediately.
- Take care to avoid contact between the hot surfaces of the unit and the skin, paying particular attention to the face, neck and hands.
- This appliance is not intended for use by persons (including children) with reduced physical, sensory or mental capabilities, or lack of experience or instruction concerning use of the appliance by a person responsible for their safety.
- Children should be supervised to ensure they do not play with the appliance.

IMPORTANT: Always unplug the appliance when not in use or before cleaning. Do not leave unattended when plugged in or switched on. Do not place on any heat sensitive surface and always allow to cool before storing away.

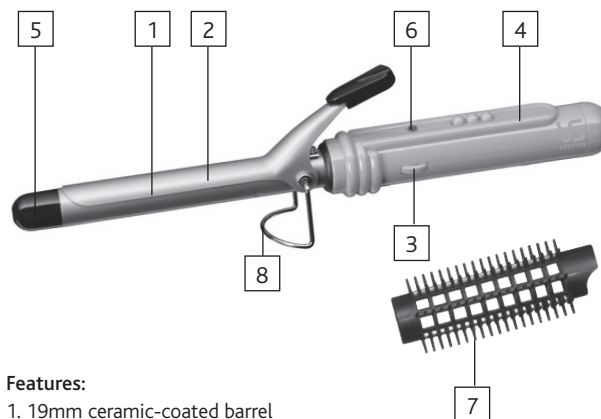
- Do not use any attachments other than those supplied by Conair Australia Pty Ltd.
- Use this appliance only for its intended use and as described in this instruction booklet.
- This appliance is not intended for commercial use.
- Never drop or insert any object into an opening.
- Never block the air openings of the appliance or place on a soft surface such as a bed or couch, where the air openings may be blocked. Keep the air openings free of lint and other debris.
- Do not use outdoors or operate where aerosol (spray) products are being used or where oxygen is being administered.
- Keep the cord away from heated surfaces.
- Do not use an extension cord with this appliance.
- If the supply cord is damaged it must be replaced by the manufacturer, its service agent or similarly qualified persons in order to avoid a hazard.
- After use do not wrap the cord around the appliance as in time this may cause the cord to fracture. Coil cord loosely by the side of the appliance in storage.
- Always ensure that the voltage to be used corresponds to the voltage marked on the unit.
- For additional protection, the installation of a residual current device (RCD) with a rated operating current not exceeding 30mA is advisable in the electrical current circuit supplying the bathroom. Ask your installer for advice.

Essence Ceramic Curler

VS Sassoon's Essence Ceramic Curler is an essential styling tool for creating medium to large soft waves and curls.

It features a 19mm ceramic-coated barrel that heats up in 60 seconds (to 85°C) for super fast styling.

140°C of high heat, 30 variable temperature settings to suit all hair types and an automatic shut-off system makes this curling tong easy to use.



Features:

1. 19mm ceramic-coated barrel
2. 60 second heat up
3. 30 variable temperature settings
4. Automatic safety shut-off
5. Cool tip
6. Red LED indicator light
7. Brush sleeve attachment
8. Counter rest

How to use your Essence Ceramic Curler

Styling versatility is now made even easier.

- Ensure hair is clean and completely dry before using the appliance.
- Plug the appliance into a suitable power outlet and press the on button. Divide hair into equal sections.
- Select the required temperature setting to suit your hair type and desired style.

Use of the brush sleeve attachment

For softer waves and body use the sleeve attachment. To attach the brush sleeve, slide the sleeve down so that the arrow on the bottom of the sleeve aligns with the automatic curl release. The attachment should slide down the barrel and click into place. To remove simply pull the sleeve off.

CAUTION: Attach and remove the brush sleeve only when the curling tong is cool the automatic curl release should not be pressed unless the brush sleeve attachment has been removed.

How to use the 30 variable temperature settings

The 30 variable temperature settings provide variable heat for many different hair types. These settings allow you to choose the required temperature setting according to your particular need.

Temperature Setting Guide	
Variable Temperature Control	Hair Type
1-5 (Low setting)	Delicate, thin, easy-to-curl hair
6-11 (Med setting)	Average-to-thick or treated hair
12-20 (Med/High setting)	Thick or wavy hair
21-30 (High setting)	Hard-to-curl hair

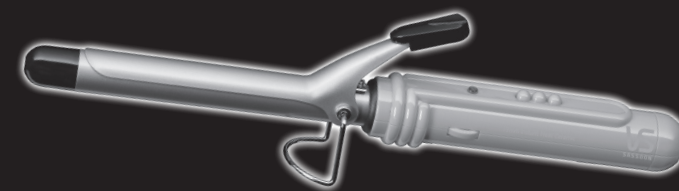
NB: This appliance has an automatic safety cut off system which will automatically turn the appliance off if left on accidentally for 72 minutes. If this occurs, please wait for appliance to cool. Switch the appliance off and unplug the power cord. Plug the power cord in and switch the appliance on.

Limited Two Year Warranty

This product is subject to the express warranty given on the warranty card included with the product, as may be amended by reference to and in accordance with the terms of the warranty card displayed on the Vidal Sassoon website www.vssassoon.com.au Please retain a copy of your purchase receipt as proof of purchase within the warranty period.

VS
SASSOON

VS
SASSOON



Get more from your styling tools, visit
www.vssassoon.com.au
for news, styling tips and much more.

Essence
Ceramic Curler

Vidal Sassoon and related logos are trademarks of
The Procter & Gamble Company used under license by Conair
©2015 Conair Australia Pty Ltd
Suite 101, 18 Rodborough Rd
Frenchs Forest NSW, 2086
Australia
Customer Service Hotline (Australia): 1800 650 263
Customer Service e-mail: aus_info@conair.com
Conair New Zealand Ltd.,
PO Box 251159, Pakuranga, Auckland, 1706, New Zealand
Customer Service Hotline (New Zealand): 0800 266 247

VSCD16HCA

LONDON • NEW YORK • SYDNEY
JOIN THE EVOLUTION.™