

IMPORTANT SAFETY INSTRUCTIONS

When using electrical appliances, especially when children are present, basic safety instructions should always be followed, including the following:

Polythene bags over product or package may be dangerous. To avoid danger of suffocation, keep this wrapper away from babies and children. This bag is not a toy.

DANGER: When the unit is used in a bathroom, unplug it after use since the proximity of water presents a hazard even when the unit is switched off.

WARNING: Do not use this appliance in or near bathtubs, showers, basins or other vessels containing water.

- Do not immerse in water or other liquids.
- Do not reach for an appliance that has fallen into water. Unplug immediately.
- Take care to avoid contact between the hot surfaces of the unit and the skin, paying particular attention to the face, neck and hands.
- This appliance is not intended for use by persons (including children) with reduced physical, sensory or mental capabilities, or lack of experience or instruction concerning use of the appliance by a person responsible for their safety.
- Children should be supervised to ensure they do not play with the appliance.



IMPORTANT: Always unplug the appliance when not in use or before cleaning. Do not leave unattended when plugged in or switched on. Do not place on any heat sensitive surface and always allow to cool before storing away.

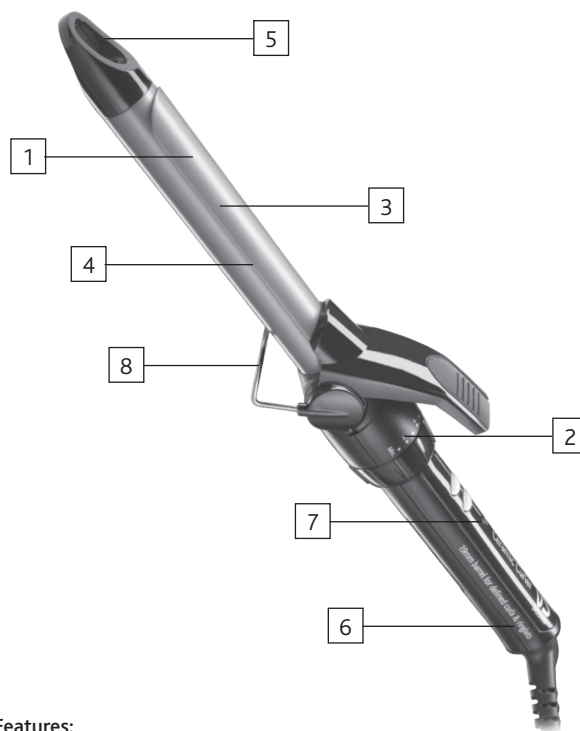
- Do not use any attachments other than those supplied by Conair Australia Pty Ltd.
- Use this appliance only for its intended use and as described in this instruction booklet.
- This appliance is not intended for commercial use.
- Never drop or insert any object into an opening.
- Never block the air openings of the appliance or place on a soft surface such as a bed or couch, where the air openings may be blocked. Keep the air openings free of lint and other debris.
- Do not use outdoors or operate where aerosol (spray) products are being used or where oxygen is being administered.
- Keep the cord away from heated surfaces.
- Do not use an extension cord with this appliance.
- If the supply cord is damaged it must be replaced by the manufacturer, its service agent or similarly qualified persons in order to avoid a hazard.
- After use do not wrap the cord around the appliance as in time this may cause the cord to fracture. Coil cord loosely by the side of the appliance in storage.
- Always ensure that the voltage to be used corresponds to the voltage marked on the unit.
- For additional protection, the installation of a residual current device (RCD) with a rated operating current not exceeding 30mA is advisable in the electrical current circuit supplying the bathroom. Ask your installer for advice.

Ceramic Curler

VS Sassoon's Ceramic Curler range features 3 different sized barrels to create your own individual curl style. The 19mm is ideal for creating defined curls & ringlets, the 25mm creates medium curls & bounce and the 38mm is perfect for those wanting to create large curls & waves.

The 19mm barrel is that perfect slimline size barrel that helps you create spirally ringlets and defined curls whilst adding shine and volume that lasts. It features a 19mm ceramic finished barrel that heats up in 60 seconds for super-fast styling.

Quick Tip: For looser curls, style larger sections at the time and for tighter curls, take up smaller sections. For the longest lasting results, prepare the hair with a mousse or heat protective spray. Do not disturb the curl until it has cooled completely and fix the style with a mist of hair spray.



Features:

1. Ceramic Technology™
2. Temperature dial with 10 heat settings
3. Up to 180°C Professional Heat
4. Instant heat up
5. Cool touch tip
6. Automatic safety cut-off system
7. Red LED indicator light
8. Counter rest

How to use your Ceramic Curler

- Plug in the appliance and switch on.
- Select the desired temperature using the control knob. We recommend using a lower temperature for fine, bleached and/or damaged hair, and a higher temperature for curly, thick and/or difficult-to-style hair. Please refer to the table below:

Temperature	Hair type
Settings 1 to 4	Fine, lightened and/or damaged hair
Settings 5 to 7	Normal, coloured and/or wavy hair
Settings 8 to 10	Thick and/or curly hair

- The red indicator light will stop flashing when the unit has heated up to the selected temperature. Your curling tong is now ready to use; the red indicator light will stay on.
- Use on dry hair. Divide your hair into equal sections and comb before curling. Press down on the clamp lever, place the curling tong halfway up the section of hair and distribute the hair evenly between the clamp and the barrel. Gently pull the curling tong down to the tips of your hair.
- To avoid crimped ends, make sure they are securely wound under the clamp in the direction of the desired curl. Remember always place the clamp on top of a section when making a curl you want rolled under; place the clamp under the section when making a flip style.
- Wind the hair as far as you want it curled, being careful not to let the curling tong touch the scalp. Hold in place for a few seconds depending on the texture and length of your hair. Unroll once the hair is warm (not hot) to the touch. For tighter, bouncier curls, roll less hair. For loose, free-flowing curls, roll more hair.
- To remove the curling tong, press down on the clamp lever to release your hair. To "set" the curl, wait until your hair has cooled before brushing or combing through.
- After use, switch off and unplug the appliance. Allow to cool before storing away.

MAINTENANCE

Once unplugged and cooled, the curling tong may be wiped with a damp cloth. Make sure that it is completely dry before plugging it in again.

AUTO SHUT OFF

This appliance has an automatic safety cut off system which will automatically turn the appliance off if left on accidentally for 72 minutes.

WARRANTY

Our goods come with guarantees that cannot be excluded under the Australian Consumer Law. You are entitled to a replacement or refund for a major failure and for compensation for any other reasonably foreseeable loss or damage. You are also entitled to have the goods repaired or replaced if the goods fail to be of acceptable quality and the failure does not amount to a major failure. In New Zealand our goods come with a guarantee that cannot be excluded under the Consumer Guarantee Act 1993.

Limited Two Year Warranty

Conair Australia Pty Ltd. will repair or replace (at our option) your appliance free of charge for sixty months from the date of purchase if the appliance is defective in workmanship or materials.

This warranty is an additional benefit and does not affect your legal rights. To obtain service under this warranty, please read the Warranty Leaflet included or contact Conair Customer Service at HYPERLINK "mailto:aus_info@conair.com" aus_info@conair.com.

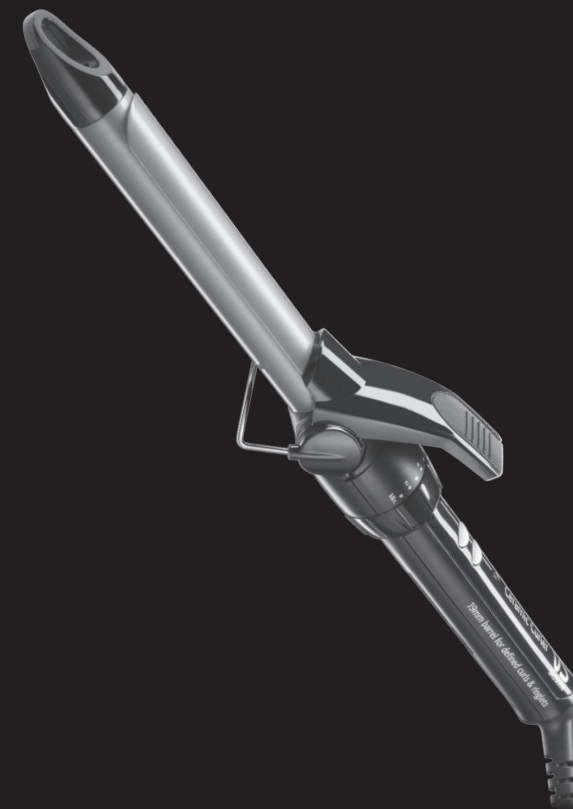
To make a warranty claim you must retain your proof of purchase.

Get more from your styling tools, visit
www.vssassoon.com.au
for news, styling tips and much more.

Vidal Sassoon and related logos are trademarks of
The Procter & Gamble Company used under licence by Conair
©2015 Conair Australia Pty. Ltd.
Suite 101, 18 Rodborough Rd
Frenchs Forest NSW, 2086
Customer Service Hotline (Australia): 1800 650 263
Customer Service e-mail: aus_info@conair.com
Conair New Zealand Ltd.,
PO Box 251159, Pakuranga, Auckland, 1706, New Zealand
Customer Service Hotline (New Zealand): 0800 266 247

VS
SASSOON

VS
SASSOON



instruction booklet
Ceramic Curler