

## IMPORTANT SAFETY INSTRUCTIONS

When using electrical appliances, especially when children are present, basic safety instructions should always be followed, including the following:

Polythene bags over product or package may be dangerous. To avoid danger of suffocation, keep this wrapper away from babies and children. This bag is not a toy.

**DANGER:** When the unit is used in a bathroom, unplug it after use since the proximity of water presents a hazard even when the unit is switched off.

**WARNING:** Do not use this appliance in or near bathtubs, showers, basins or other vessels containing water.



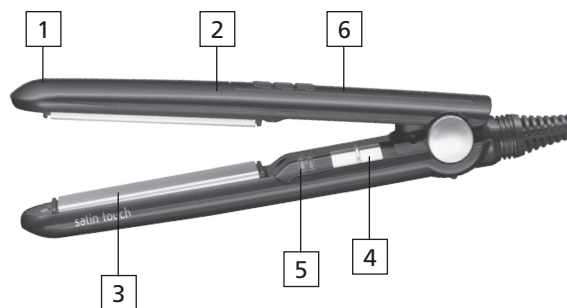
- Do not immerse in water or other liquids.
- **Do not reach for an appliance that has fallen into water. Unplug immediately.**
- Unit is hot when in use. Take care to avoid contact between the hot surfaces of the unit and the skin, paying particular attention to the face, neck and hands.
- This appliance is not intended for use by infirm persons (including children) with reduced physical, sensory or mental capabilities, or lack of experience and knowledge, unless they have been given supervision or instruction concerning use of the appliance by a person responsible for their safety.
- Children should be supervised to ensure that they do not play with the appliance.

**IMPORTANT:** Always unplug the appliance when not in use or before cleaning. Do not leave unattended when plugged in or switched on. Do not place on any heat-sensitive surface and always allow to cool before storing away.

- Do not use any attachments other than those supplied by Conair Australia Pty Ltd.
- Use this appliance only for its intended use as described within this instruction booklet.
- This appliance is not intended for commercial use.
- Never drop or insert any object into an opening.
- Never block the air openings of the appliance or place on a soft surface such as a bed or couch, where the air openings may be blocked. Keep the air openings free of lint and other debris.
- Attachments may get hot during use. Allow them to cool before handling.
- Do not use outdoors or operate where aerosol (spray) products are being used or where oxygen is being administered.
- Keep the cord away from heated surfaces.
- Do not use an extension cord with this appliance.
- If the supply cord is damaged, it must be replaced by the manufacturer, its service agent or similarly qualified persons in order to avoid a hazard.
- After use do not wrap the cord around the appliance as in time this may cause the cord to fracture. Coil cord loosely by the side of the appliance in storage.
- Always ensure that the voltage to be used corresponds to the voltage marked on the unit.
- For additional protection, the installation of a residual current device (RCD) with a rated operating current not exceeding 30mA is advisable in the electrical current circuit supplying the bathroom. Ask your installer for advice.
- The enclosure beyond the LED indicator should not be handled when the unit is in operation.

## i-Straight straightener

VS Sassoons i-Straight is a hi-tech compact straightener, featuring ultra soft, satin touch™ plates for instant straightening and a silky smooth finish - delivering perfect results every time.



### Features:

1. 200°C
2. Fast heat up
3. Satin touch™ plates
4. I / O switch
5. LED on indicator light
6. Automatic temperature control

## How to use your i-Straight Straightener

### PLEASE REMOVE ANY PROMOTIONAL MATERIAL BEFORE USE

- Wash and condition your hair as usual. Ensure that hair is dry, combed through and tangle-free.
- A plastic cover has been placed over the plug to protect it from damage. Remove the plastic cover before inserting into power outlet.
- Plug the appliance into a suitable power outlet and slide the I/O switch to 'I'. At this time the red LED indicator light will turn on.
- To turn appliance off, slide the I/O switch to 'O' and the red LED indicator light will turn off. Unplug the appliance from the power outlet and allow to cool completely before storing.

**NOTE:** When you are straightening, you might see some steam. Do not be concerned, this could be because of evaporation of the sebum, some residual hair products (leave-in hair care, hairspray, etc.) or excess water that is evaporating from your hair.

### Styling

The appliance can also be used for shaping the hair. To create perfectly shaped bobs - straighten from the roots, then turn the appliance under at the end of your hair, hold in place for a couple of seconds and then release.

For flick ups, follow the same procedure but angle the appliance out at the end of your hair instead of under.

**NOTE:** This straightener has an internal automatic converter which will automatically convert the voltage without the need of a switch.

A suitable plug adaptor will be required, please refer to the chart below.

Plug adaptor required	Voltage and plug adaptors	Country
	British plug: 230V	Ireland, Great Britain, Singapore, South America, Hong Kong (parts only), Africa (parts only)
	European plug: 230V	Asia, Europe, Middle East Noumea, Scandinavia, South America, Hong Kong (parts only)
	Australian & New Zealand plug: 240V	Australia, New Zealand
	American plugs: 100-120V	North America, Japan, Canada (parts of)

#### User Maintenance

Your straightener is designed for household use and is virtually maintenance free. No lubrication is needed. This product represents the highest standards of workmanship and engineering research. If cleaning becomes necessary, disconnect the appliance from the power outlet. Allow the straightener to cool and wipe exterior with a cloth. If any abnormal condition occurs, unplug the straightener, allow to cool and return to your place of purchase.

#### Limited Two Year Warranty

This product is subject to the express warranty given on the warranty card included with the product, as may be amended by reference to and in accordance with the terms of the warranty cards displayed on VS Sassoon website [www.vssassoon.com.au](http://www.vssassoon.com.au)

To make a warranty claim you must retain your proof of purchase. Further details can be found at [www.vssassoon.com.au](http://www.vssassoon.com.au) and click on 'customer service'.

Get more from your styling tools, visit  
**[www.vssassoon.com.au](http://www.vssassoon.com.au)**  
for news, styling tips and much more.

Vidal Sassoon and related logos are trademarks of The Procter & Gamble Company used under license by Conair

©2016 Conair Australia Pty Ltd  
Suite 101, 18 Rodborough Rd  
Frenchs Forest NSW, 2086  
Australia

#### CUSTOMER SERVICE:

Australia: 1800 650 263  
New Zealand: 0800 266 247

#### CONTACT US:

For advice, tips on your new VS product  
E-mail us on: [aus\\_info@conair.com](mailto:aus_info@conair.com)

**VS**  
SASSOON

**VS**  
SASSOON



**instruction booklet**  
**i-Straight straightener**

VS2858A

**LOVE YOUR STYLE**