

## IMPORTANT SAFETY INSTRUCTIONS

When using electrical appliances, especially when children are present, basic safety instructions should always be followed, including the following:

Polythene bags over product or package may be dangerous. To avoid danger of suffocation, keep this wrapper away from babies and children. This bag is not a toy.

**DANGER:** When the unit is used in a bathroom, unplug it after use since the proximity of water presents a hazard even when the unit is switched off.

**WARNING:** Do not use this appliance in or near bathtubs, showers, basins or other vessels containing water.



• Do not immerse in water or other liquids.

• **Do not reach for an appliance that has fallen into water.**

**Unplug immediately.**

• Unit is hot when in use. Take care to avoid contact between the hot surfaces of the unit and the skin, paying particular attention to the face, neck and hands.

• This appliance is not intended for use by infirm persons (including children) with reduced physical, sensory or mental capabilities, or lack of experience and knowledge, unless they have been given supervision or instruction concerning use of the appliance by a person responsible for their safety.

• Children should be supervised to ensure that they do not play with the appliance.

**IMPORTANT:** Always unplug the appliance when not in use or before cleaning. Do not leave unattended when plugged in or switched on. Do not place on any heat-sensitive surface and always allow to cool before storing away.

• Do not use any attachments other than those supplied by Conair Australia Pty Ltd.

• Use this appliance only for its intended use as described within this instruction booklet.

• This appliance is not intended for commercial use.

• Never drop or insert any object into an opening.

• Never block the air openings of the appliance or place on a soft surface such as a bed or couch, where the air openings may be blocked. Keep the air openings free of lint and other debris.

• Attachments may get hot during use. Allow them to cool before handling.

• Do not use outdoors or operate where aerosol (spray) products are being used or where oxygen is being administered.

• Keep the cord away from heated surfaces.

• Do not use an extension cord with this appliance.

• If the supply cord is damaged, it must be replaced by the manufacturer, its service agent or similarly qualified persons in order to avoid a hazard.

• After use do not wrap the cord around the appliance as in time this may cause the cord to fracture. Coil cord loosely by the side of the appliance in storage.

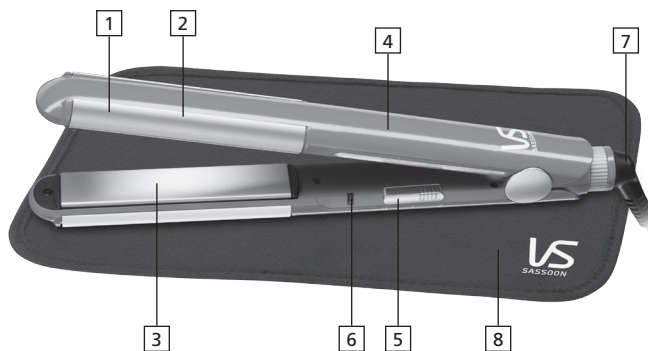
• Always ensure that the voltage to be used corresponds to the voltage marked on the unit.

• For additional protection, the installation of a residual current device (RCD) with a rated operating current not exceeding 30mA is advisable in the electrical current circuit supplying the bathroom.

Ask your installer for advice.

## Straight 2 Curl

VS Sassoon's Straight 2 Curl features integrated curling plates so that you can achieve 2 glamorous looks, by either curling or straightening with the same styler. With Satin Touch plates, up to 230°C high heat and multi-voltage for worldwide use - this styler offers complete versatility and portability for a high shine finish



### Features:

1. Flat plates to straighten / curved plates to curl
2. Up to 230°C
3. Satin touch™ plates
4. Multi voltage
5. 2 temperature settings - 180°C for curling and straightening colour treated, fine hair  
- 230°C for straightening thick, wavy hair
6. LED 'on' indicator light
7. Swivel power cord
8. Heat resistant mat

### How to use your Straight 2 Curl

#### PLEASE REMOVE ANY PROMOTIONAL MATERIAL BEFORE USE

- Wash and condition your hair as usual. Ensure that hair is dry, combed through and tangle-free.
- A plastic cover has been placed over the plug to protect it from damage. Remove the plastic cover before inserting into power outlet.
- Plug the appliance into a suitable power outlet and select the desired temperature using the 0 | I | II switch. The first setting I (180°C) is ideal for curling hair or straightening coloured, bleached or fine hair. The second setting II is intended for straightening only.  
For straightening a lower temperature is usually recommended for fine / beached and / or damaged hair, and a higher temperature for curly, thick and/or difficult to style hair.

### Straightening your hair

Thoroughly brush hair and section.

Start with the underneath sections of hair. Take a section of about 5cm width and place it between the 2 flat plates with the styler positioned close to the roots, being careful not to touch the hot surface of the appliance with your hand.

Hold the hair firmly with the straightener and slide slowly along from the roots to the tips.

Repeat again if necessary.

Let the hair cool down before you comb it.

After use, switch off and unplug the appliance.

Allow to cool before storing away.

### Curling your hair

To curl your hair forwards:

Take up a section about 2-3cm wide and place it between the 2 heating plates, near the roots of your hair. (fig 1)

Turn the Straight 2 Curl 180 degrees downwards. (fig 2)

Slowly guide the Straight 2 Curl by rotating over the length of the section from the roots to the tips, ensuring to hold the ends of hair for a firm grip/tension. (fig 3)

Remove the Straight 2 Curl and use your fingers to twist the section again so that it takes its natural position. (fig 4)

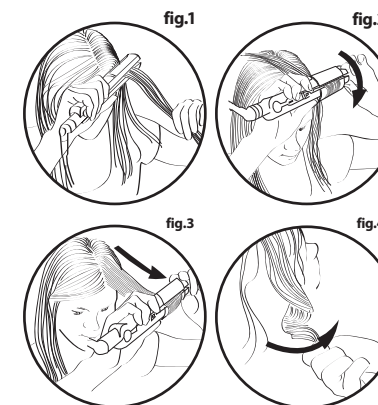
Repeat if necessary.

You may wish to set the curls with a light mist of hairspray.

After use, switch off and unplug the appliance. Allow to cool before storing away.

**Note:** when you are using the appliance, you might see some steam.

Do not be concerned, this could be because of evaporation of the sebum, some residual hair products (leave-in hair care, hairspray, etc.) or excess water that is evaporating from your hair.







**IMPORTANT:** This is a high heat appliance at 230°C. If your hair has been heavily bleached or is chemically treated or you are concerned with the condition of your hair, please consult your hairdresser before using this appliance.

### Multi Voltage

This Straight 2 Curl has a multi voltage feature for worldwide use. The voltage automatically converts for ease of use from 100V-120V~ and 220V-240V~.

**NOTE:** This Straight 2 Curl has an internal automatic converter which will automatically convert the voltage without the need of a switch. A suitable plug adaptor will be required, please refer to the chart below.



Plug adaptor required	Voltage and plug adaptors	Country
	British plug: 230V	Ireland, Great Britain, Singapore, South America, Hong Kong (parts only), Africa (parts only)
	European plug: 230V	Asia, Europe, Middle East Noumea, Scandinavia, South America, Hong Kong (parts only)
	Australian and New Zealand plug: 240V	Australia, New Zealand
	American plugs: 100-120V	North America, Japan, Canada (parts of)

**User Maintenance**

Your Straight 2 Curl is designed for household use and is virtually maintenance free. No lubrication is needed. This product represents the highest standards of workmanship and engineering research. If cleaning becomes necessary, disconnect the appliance from the power outlet. Allow the appliance to cool and wipe exterior with a cloth. If any abnormal condition occurs, unplug the appliance, allow to cool and return to your place of purchase.

**Limited Two Year Warranty**

This product is subject to the express warranty given on the warranty card included with the product, as may be amended by reference to and in accordance with the terms of the warranty cards displayed on VS Sassoon website [www.vssassoon.com.au](http://www.vssassoon.com.au)

To make a warranty claim you must retain your proof of purchase. Further details can be found at [www.vssassoon.com.au](http://www.vssassoon.com.au) and click on 'customer service'.

Get more from your styling tools, visit [www.vssassoon.com.au](http://www.vssassoon.com.au) for news, styling tips and much more.



instruction booklet  
Straight 2 Curl

VS58A

Vidal Sassoon and related logos are trademarks of The Procter & Gamble Company used under licence by Conair ©2013 Conair Australia Pty Ltd Suites 20 and 21, 7 Narabang Way, Belrose NSW 2085 Customer Service Hotline (Australia): 1800 650 263 Customer Service e-mail: [aus\\_info@conair.com](mailto:aus_info@conair.com) Conair New Zealand Ltd., PO Box 251159, Pakuranga, Auckland, 1706, New Zealand Customer Service Hotline (New Zealand): 0800 266 247