

Temperature Setting Guide	
Variable Temperature Control Settings	Hair Type
Power/Low setting - 130°C	Delicate, fine, bleached hair
Medium setting - 155°C	Average to thick treated hair
Medium high setting - 180°C	Normal, thick or wavy hair
High setting - 205°C	Hard to straighten, thick hair
Intense setting - 230°C	Hard to straighten, very thick curly hair

How to use the locking switch?

The locking switch is used to hold the plates together when the straightener is not in use for easy and convenient storage. After use, turn the appliance off and allow to cool. Hold the straightener handle together and slide the locking switch across to secure the plates. To unlock, simply slide the locking switch in the other direction.



How to use the heat protection mat/storage pouch?

The heat protection mat also doubles as an instant storage pouch. To use the pouch as a heat protection mat, simply unclip and unfold the pouch until it opens completely. Place the straightener on the silver heat protection surface and begin styling your hair.

To use the storage pouch, unclip the pouch until it is completely open. Simply place the straightener with power cord and plug inside the pouch. To close, simply clip the storage pouch closed and fold the heat mat up and then click the pouch together. Ensure that the appliance is switched off and has cooled down before storing. Never allow the plates to touch the power cord or plug, as this may scratch the surface of the straightener and/or the straightening plates.

How does the ionic feature work?

Many aspects of modern living, including air conditioning, contact with man-made fibres and air pollution add to the build-up of static electricity in the hair. Even brushing and towel-drying the hair can increase these levels. This static charge causes the scales, or cuticles of the hair, to push hair strands apart, resulting in a rough hair surface. Consequently, hair may have a dull appearance.

High levels of static charge cause hair to become 'flyaway' and difficult to style. The advanced internal ionic generator conditions hair by emitting negative ions to reduce static, by leaving hair silky and shiny with reduced frizz.

Buzzing noise

This product will make a faint buzzing noise, due to the Ionic conditioning technology™ function. This noise is completely normal, and part of standard operation of this product.

To make a warranty claim, you must retain your proof of purchase. Further details can be found at www.vssassoon.com.au and click on 'customer service'

What is the CeramicTEC™ advanced ceramic heating technology?

This straightener features a microprocessor controlled professional ceramic heater for perfect results by intelligently maintaining a high heat level. The internal ceramic heater allows for ultra fast heat up and consistent heat delivery. This system provides consistent styling power so that every strand of hair is set with the same level of heat and comes out the same way, for a perfect, flawless finish.

User Maintenance

Your styler is designed for household use and is virtually maintenance free. If cleaning becomes necessary, disconnect the appliance from the power outlet. Allow the appliance to cool and wipe exterior with a cloth.

If any abnormal conditions occur, allow to cool and return to your place of purchase.

Limited Three Year Warranty

Conair Australia Pty Ltd. will repair or replace (at our option) your appliance free of charge for thirty-six months from the date of purchase if the appliance is defective in workmanship or materials. This warranty is an additional benefit and does not affect your legal rights. To obtain service under this warranty, please fill in and return the Warranty Registration as instructed.

To make a warranty claim you must retain your proof of purchase. Further details can be found at www.vssassoon.com.au and click on 'customer service'.

Vidal Sassoon and related logos are trademarks of The Procter & Gamble Company used under license by Conair ©2014
 Conair Australia Pty Ltd
 Suite 101, 18 Rodborough Rd
 Frenchs Forest NSW, 2086
 Australia
 Customer Service Hotline (Australia): 1800 650 263
 Customer Service e-mail: aus_info@conair.com
 Conair New Zealand Ltd.,
 PO Box 251159, Pakuranga, Auckland, 1706, New Zealand
 Customer Service Hotline (New Zealand): 0800 266 247

VSLE288A

VS
SASSOON



EVOKE
 PRO CERAMIC STRAIGHTENER

VSLE288A

IMPORTANT SAFETY INSTRUCTIONS

The appliance should not be placed on the floor during operation and the integrated support is not for use during operation.

When using electrical appliances, especially when children are present, basic safety instructions should always be followed, including the following:

Polythene bags over product or package may be dangerous. To avoid danger of suffocation, keep this wrapper away from babies and children. This bag is not a toy.

DANGER: When the unit is used in a bathroom, unplug it after use since the proximity of water presents a hazard even when the unit is switched off.

WARNING: Do not use this appliance in or near bathtubs, showers, basins or other vessels containing water.

- Do not immerse in water or other liquids.
- Do not reach for an appliance that has fallen into water. Unplug immediately.
- Take care to avoid contact between the hot surfaces of the unit and the skin, paying particular attention to the face, neck and hands.
- This appliance is not intended for use by persons (including children) with reduced physical, sensory or mental capabilities, or lack of experience or instruction concerning use of the appliance by a person responsible for their safety.
- Children should be supervised to ensure they do not play with the appliance.

IMPORTANT: Always unplug the appliance when not in use or before cleaning. Do not leave unattended when plugged in or switched on.

Do not place on any heat sensitive surface and always allow to cool before storing away.

- Do not use any attachments other than those supplied by Conair Australia Pty Ltd.
- Use this appliance only for its intended use and as described in this instruction booklet.
- This appliance is not intended for commercial use.
- Never drop or insert any object into an opening.
- Never block the air openings of the appliance or place on a soft surface such as a bed or couch, where the air openings may be blocked. Keep the air openings free of lint and other debris.
- Do not use outdoors or operate where aerosol (spray) products are being used or where oxygen is being administered.
- Keep the cord away from heated surfaces.
- Do not use an extension cord with this appliance.
- If the supply cord is damaged it must be replaced by the manufacturer, its service agent or similarly qualified persons in order to avoid a hazard.
- After use do not wrap the cord around the appliance as in time this may cause the cord to fracture. Coil cord loosely by the side of the appliance in storage.
- Always ensure that the voltage to be used corresponds to the voltage marked on the unit.
- For additional protection, the installation of a residual current device (RCD) with a rated operating current not exceeding 30mA is advisable in the electrical current circuit supplying the bathroom. Ask your installer for advice.
- Do not use the unit if it has fallen or if it appears to be damaged.
- Attachment may get hot during use. Allow them to cool before handling.



LONDON • NEW YORK • SYDNEY
JOIN THE EVOLUTION.™

Get more from your styling tools, visit
www.vssassoon.com.au
for news, styling tips and much more.

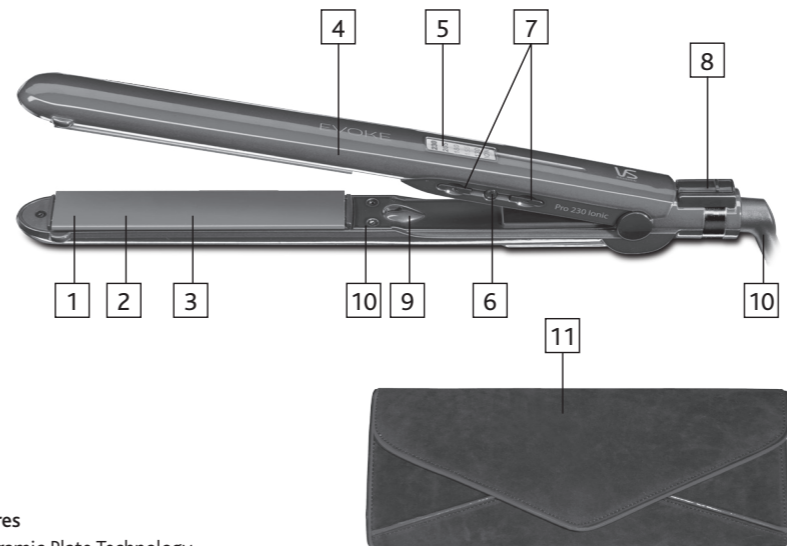
EVOKE

Salon Professional Straightener

For an effortless glide and smooth, healthy hair with less frizz.

Look after the beauty and natural shine of your hair, by ensuring you are using the best. VS SASSOON's Evoke Salon Professional Straightener uses the most sophisticated technologies to ensure that your hair is soft, shiny and totally protected.

Get fast, superior and long lasting results and minimize damage using this advanced straightener with ceramic and professional heat.



Features

1. Ceramic Plate Technology
2. Floating plate
3. CeramicTEC™ advanced ceramic heating technology
4. Ultra fast heat up
5. LED display with 5 settings
6. On / off button
7. Temperature + or -
8. Locking switch
9. Ionic Conditioning Technology™
10. Professional swivel cord
11. Luxury heat protection mat and storage pouch

How to use your Straightener

1. Remove all packaging and point of sale labels before use.
2. A plastic cover has been placed over the plug to protect it from damage during transportation. Remove the plastic cover from the plug before use.
3. Ensure hair is clean and completely dry before using the appliance.
4. Comb through hair to prevent knots and tangles and then divide hair into equal sections, using sectioning clips to hold hair in place.
5. Plug the appliance into a power outlet & release the locking switch, see 'How to use the locking switch' for more information.
6. Place the appliance on a heat protective (such as the heat protection mat), flat level surface
7. Press the 'I/O' button to switch the appliance on. The LED display will instantly illuminate, and at this point the straightener will start heating up. The straightener will be on the lowest setting, 130°C and the ION light will be on, indicating that the internal ionic generator is switched on. As you move through the heat settings, the ION light always stays illuminated, until the straightener is switched off.
8. Press the '+' or '-' button to adjust to the temperature you desire. The display LED light will change colour according to the temperature you select. Do not use the higher heat settings on heat damaged or chemically damaged hair. Please see 'How to use the variable temperature settings' for more information. Once the selected temperature stops flashing, the straightener has heated and you can begin styling your hair.
9. Style sections of hair until completed.
10. To turn the appliance off, press the 'I/O' button. The LED display will turn off. Allow appliance to cool before storing.

NB: This appliance has a safety automatic shut-off system, which will automatically turn the appliance off if left switched on accidentally for a period of an hour or more. If this occurs, please wait for appliance to cool and unplug the power cord.

WARNING: This is a high heat appliance. Care must be taken to avoid the hot surfaces of the appliance coming into direct contact with the skin, in particular the eyes, ears, face and neck.

IMPORTANT: Hair that has been heavily bleached or chemically treated should only use the low heat settings on this product. Please consult your hairdresser on using heated appliances if you have any concerns about the condition of your hair.

How to use the variable temperature settings

The 5 variable temperature settings/digital heat control provide variable heat for many different hair types. These settings allow you to choose the required temperature setting according to your particular need and hair type.

NB: The heat-up time will vary depending on which temperature setting you select. It is suggested to use the lower heat settings when using the appliance for the first time.

CAUTION: Do not use the straightener handle past the (|||) marking on the top of the straightener, towards the straightening plates - as this area can become very hot.